

MISSION EPDM 90 Degree Rubber Elbows



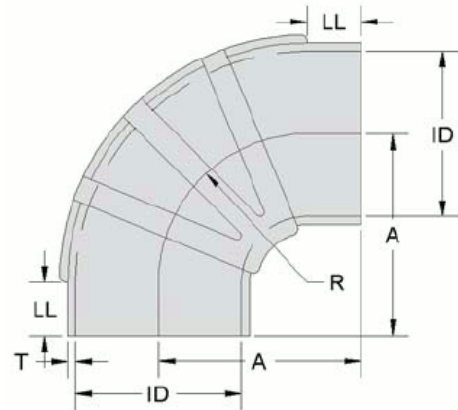
Features & Benefits

- Specifically formulated EPDM compound.
- Available in nitrile and chloroprene and silicone compounds.
- Vacuum collapse rating exceeds 4" Hg. mercury.
- Recommended for temperatures: -60°F to +300°F duty.
- Complies with physical properties requirements of ASTM D2000 3BA715A14B13C12F17. 70 ±5 Shore A Hardness
- 1500 PSI Tensile, minimum. 250% Elongation, minimum.
- Air Age, 70 Hrs. at 100° C. Durometer Change, +10, maximum.
- Tensile Change, -25%, maximum.
- Elongation Change, -25%, maximum.
- Comp. Set, Method B, at 70° C. 25% maximum.
- Ozone Resistance, D1171, Method B, Quality Retention Rating: 100%
- Low Temp. Brittleness, D2137, Method A. Non Brittle after 3 Minutes at -40° C.



MISSION EPDM 90° Rubber Elbows

Part #	ID	A	LL	R	T
RL290	2	3.5	1.5	2	0.2
RL2590	2.5	4	1.5	2.5	0.25
RL390	3	5.25	1.5	3.75	0.25
RL3590	3.5	5.5	2	3.5	0.25
RL490	4	5.75	1.25	4.5	0.25
RL4590	4.5	5.5	2	3.5	0.25
RL590	5	6.12	1.62	4.5	0.25
RL5590	5.5	6.5	1.75	4.75	0.25
RL690	6	6.75	1.75	5	0.25
RL690SR	6	5	1.62	3.5	0.25
RL790	7	7.44	2	5.56	0.31
RL890	8	8.5	2	6.5	0.37
RL1090	10	10.5	2	8.5	0.37



MISSION EPDM 90° Reducing Rubber Elbows

Part #	ID1	ID2	A	B	LL1	LL2	R	T
RL5490	5	4	5.75	6	1.75	1.75	3.75	0.25
RL6590	6	5	7	6	1.75	1.75	4.25	0.25
RL6590SR	6	5	4.75	4.75	1.25	1.75	3.5	0.25
RL65590SR	6	5.5	5	5	1.38	1.63	3.5	0.25
RL65590	6	5.5	6.7	6.7	1.5	1.75	5	0.25
RL7590	7	5	7	6.25	2.74	1.75	4.25	0.25
RL75590	7	5.5	5.75	6.25	1.5	1.5	3.68	0.31
RL7690	7	6	7.5	8.88	3	4.5	4.38	0.38



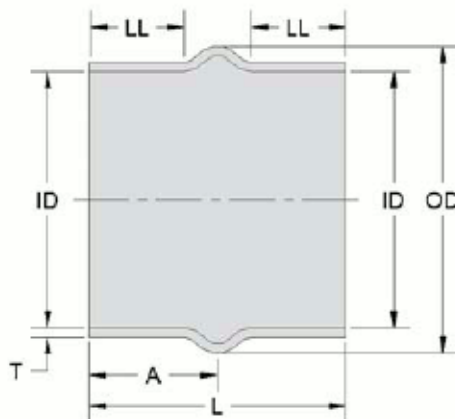
TIECO SALES DIRECT LINE : 03 97 57 4949





MISSION EPDM Hump Hose Reducers

Part #	ID1	ID2	L	A	LL1	LL2	OD	T
HHR325	3	2.5	4.5	2.25	1.6	1.51	4.25	0.25
HHR353	3.5	3	5	2.50	1.79	1.75	5.00	.25
HHR43	4	3	5.25	2.63	1.94	1.88	5.38	0.25
HHR435	4	3.5	5.25	2.63	1.94	1.88	5.38	0.25
HHR54	5	4	6	3	2.13	1.81	6.25	0.25
HHR554	5.5	4	6	3	2.13	1.88	7	0.25
HHR555	5.5	5	6	3	2.13	1.88	7	0.25
HHR65	6	5	6	3	2.13	1.88	7.5	0.25
HHR655	6	5.5	6	3	2.13	1.88	7.5	0.25
HHR75	7	5	7	3.5	2.5	2.28	8.5	0.25
HHR755	7	5.5	7	3.5	2.5	2.28	8.5	0.25
HHR76	7	6	6	2.75	2.25	1.53	8.5	0.25
HHR855	8	5.5	7.05	3.5	2.5	2.25	9.6	0.25
HHR86	8	6	6	3	2	1.75	9.6	0.25
HHR87	8	7	6	3	2	1.78	9.5	0.25



MISSION EPDM Hump Hoses

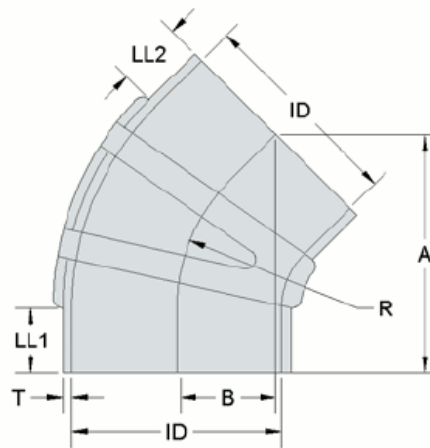
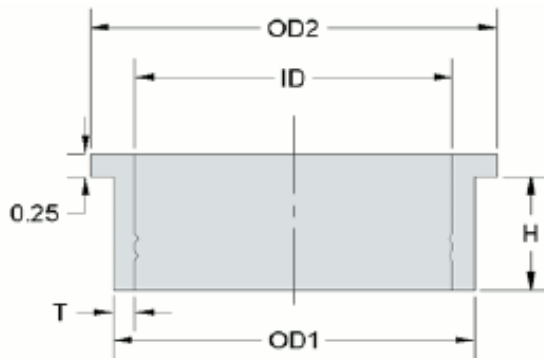
Part #	ID	L	A	LL	OD	T
HH25	2.5	3.5	1.75	1.1	3.65	0.2
HH3	3	5.25	2.62	1.87	4.5	0.25
HH35	3.5	5.25	2.62	1.92	5	0.25
HH4	4	5.25	2.63	2	5.25	0.25
HH45	4.5	6	3	2.32	5.88	0.25
HH5	5	6	3	2.25	6.1	0.25
HH55	5.5	6	3	2.13	7	0.25
HH6	6	6	3	2.25	7.38	0.25
HH7	7	7	3.5	2.58	8.3	0.25
HH8	8	8	4	2.86	10	0.28
HH10	10	6	3	1.67	12.2	0.25



MISSION EPDM 45 Degree Rubber Elbows



Part #	ID	A	B	LL1	LL2	R	T
RL245	2	4	1.65	1.52	1.51	2	0.2
RL2545	2.5	4.31	1.79	1.5	1.48	2.5	0.2
RL345	3	5.5	2.28	1.6	1.6	3.75	0.25
RL3545	3.5	5	1.88	1.68	1.2	3.5	0.25
RL445	4	5.5	2.34	1.46	1.46	4.25	0.25
RL4545	4.5	5.03	2.08	1.5	1.5	3.5	0.25
RL545	5	5.5	2.28	1.36	1.36	4.5	0.25
RL5545	5.5	6.25	2.6	1.7	1.7	4.75	0.25
RL645	6	6.5	2.69	1.74	1.74	5	0.25
RL745	7	8	3.31	2.34	2.34	5.56	0.31
RL845	8	8.06	3.34	2.03	2.03	6.5	0.37
RL1045	10	10.5	4.35	2.63	2.63	8.5	0.37



MISSION EPDM Inserts

Part #	ID	OD1	OD2	H	T
7-4375	3.75	4	4.5	1.5	0.13
7-4524	4	4.5	5	1.5	0.25
7-524	4	5	5.5	1.5	0.5
7-5245	4.5	5	5.5	1.5	0.25
7-5524	4	5.5	6	1.5	0.75
7-5525	5	5.5	6	1.5	0.25
7-625	5	6	6.5	1.5	0.5
7-6255	5.5	6	6.5	1.5	0.25
7-726	6	7	7.5	1.5	0.5
7-827	7	8	8.5	1.5	0.5



All Mission EPDM products are designed to meet unique transition requirements in air intake systems that require articulation or vibration isolation.



TIECO SALES DIRECT LINE : 03 97 57 4949



MISSION EPDM Straight Rubber Joiners

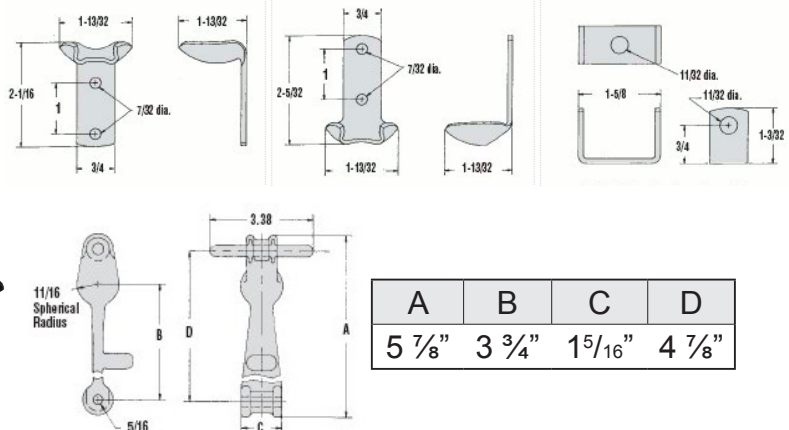


Part #	ID	OD	L	T
S200X250	2.00	2.50	2.50	0.19
S200X900	2.00	2.38	9.00	0.19
S300X300	3.00	3.38	3.00	0.19
S400X350	4.00	4.50	3.50	0.25
S400X510	4.00	4.50	5.10	0.25
S500X350	5.00	5.50	3.50	0.25
S550X400	5.50	6.00	4.00	0.25
S600X350	6.00	6.50	3.50	0.25
S700X350	7.00	7.50	3.50	0.25
S800X350	8.00	8.50	3.50	0.25
S900X350	9.00	9.50	3.50	0.25



MISSION EPDM Hold Down Kits

Type	Zinc Kit	Chrome Kit	Rubber Hold Down Only
Std Top Bracket	7001125	7001256	7001126
Rev Top Bracket	7001213		7001126



EPDM Clamp Guide

Clamp Part #	Diameter Ranges		Mission EPDM Series Hose
Z8-30	3.31" (84.0)	3.59" (91.1)	3" ID Hoses
Z8-35	3.81" (96.7)	4.09" (103.8)	3.5" ID Hoses
Z8-40	4.31" (109.4)	4.59" (116.5)	4" ID Hoses
Z8-45	4.81" (122.1)	5.09" (129.2)	4.5" ID Hoses
Z8-50	5.31" (134.8)	5.59" (141.9)	5" ID Hoses
Z8-55	5.94" (150.8)	6.21" (157.7)	5.5" ID Hoses
Z8-60	6.38" (162.0)	6.65" (168.9)	6" ID Hoses
Z8-70	7.38" (187.4)	7.78" (197.6)	7" ID Hoses
Z8-80	8.25" (209.5)	8.56" (217.4)	8" ID Hoses



See Page 32 for Full Clamp Range

TIECO SALES DIRECT LINE : 03 97 57 4949

